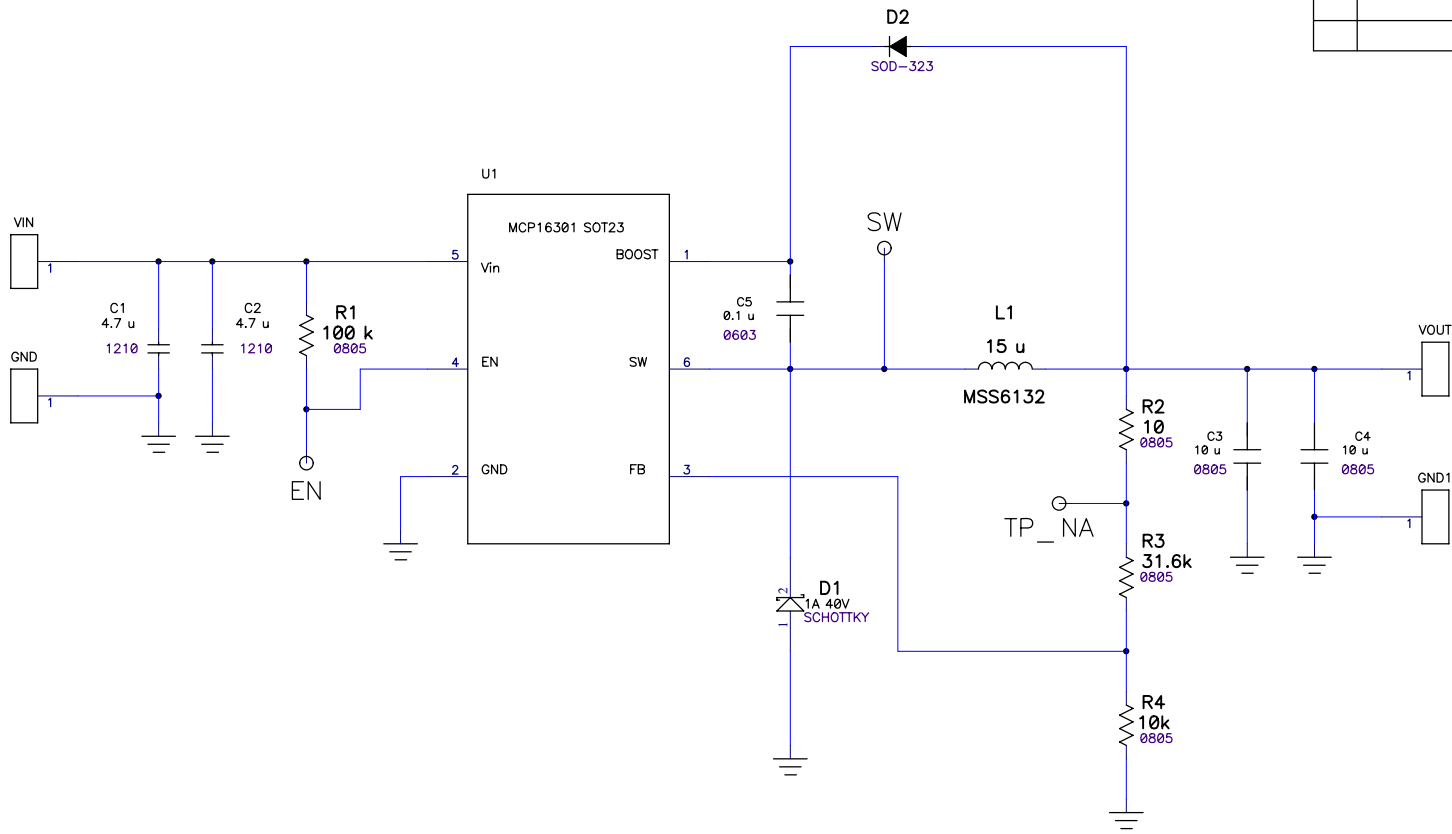



Rev	Description	Date
1	Initial Design	3/11/11



Title MCP16301 Demo Board		
Size B	103-00352  MICROCHIP	Rev 1
Date: 3/11/2011	Eng: Greg Cleveland Drawn by: Greg Cleveland Sheet 1 of 1	