

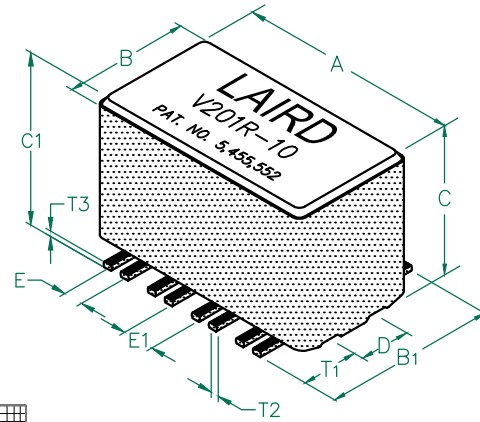
CM6032V201R-10

PHYSICAL DIMENSIONS:

A	15.24	[.600]	± 0.23	[.009]
B	8.13	[.320]	± 0.13	[.005]
B ₁	10.92	[.430]	MAX	
C	9.45	[.372]	± 0.15	[.006]
C ₁	10.08	[.397]	MAX	
D	4.06	[.160]	± 0.05	[.002]
E	1.27	[.050]	± 0.13	[.005]
E ₁	2.03	[.080]	± 0.13	[.005]

WIRE DIMENSIONS:

T ₁	3.30	[.130]	± 0.38	[.015]
T ₂	0.64	[.025]	TYP	
T ₃	0.38	[.015]	TYP	



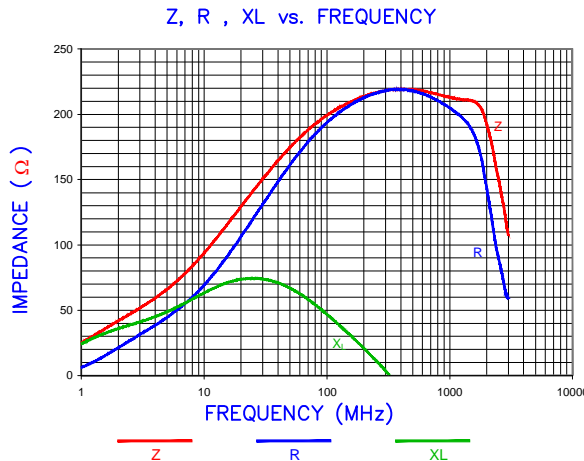
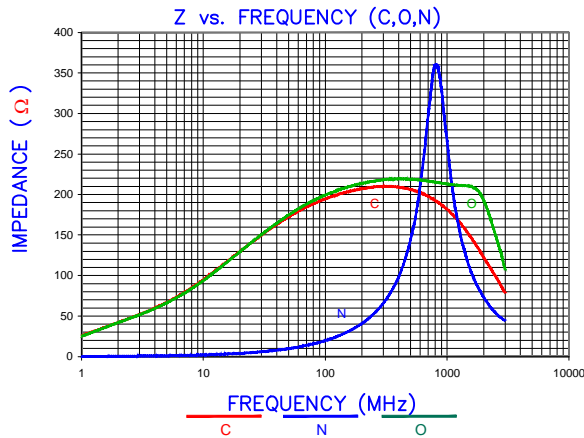
RoHS

ELECTRICAL CHARACTERISTICS:

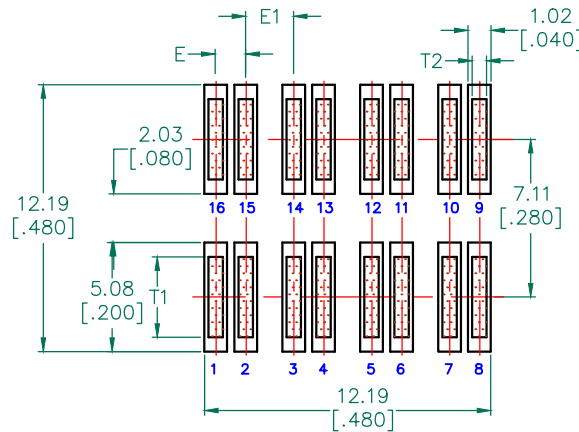
	Z @ 100MHz (Ω)	DCR (Ω)	Rated Current
Nominal	200		
Minimum	150		
Maximum	250	0.01	8,000 mA

NOTES: UNLESS OTHERWISE SPECIFIED

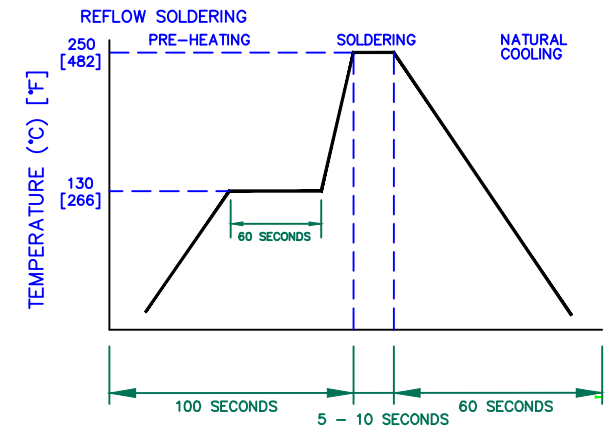
1. TAPED AND REELED per CURRENT EIA SPECIFICATIONS 13" REELS, 250 PCS/REEL.
2. COMPONENTS SHOULD BE ADEQUATELY PREHEATED BEFORE SOLDERING.
3. REF. CARRIER TAPE SPECIFICATION # CART6032-23.
4. TERMINATION FINISH IS 100% TIN.
5. THIS PART HAS NO PIN POLARITY.
6. OPERATION TEMPERATURE (INCLUDING SELF-HEATING): -40 ~ +125°C.



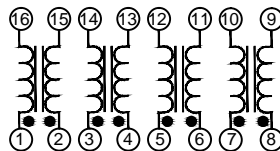
LAND PATTERNS FOR REFLOW SOLDERING



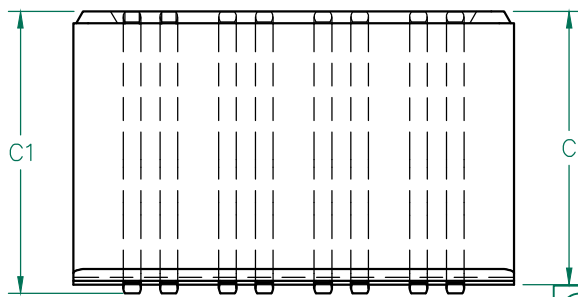
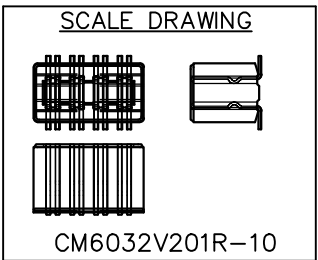
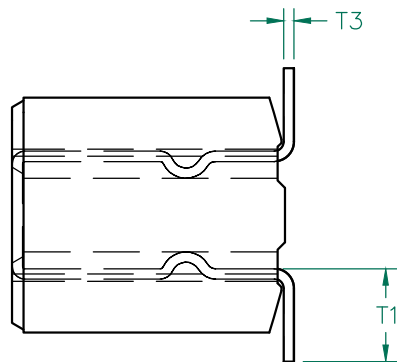
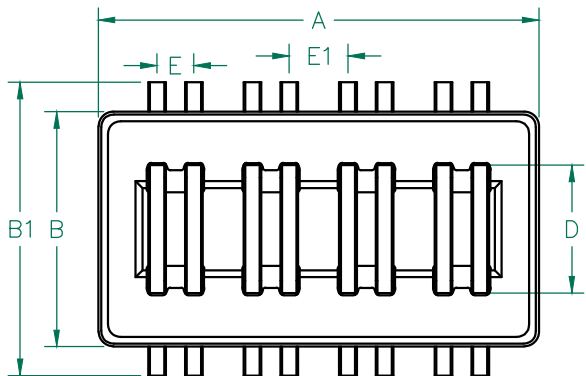
RECOMMENDED SOLDERING CONDITIONS



EQUIVALENT CIRCUIT NO POLARITY



DIMENSIONS ARE IN mm [INCHES]				This print is the property of Laird Tech. and is loaned in confidence subject to return upon request and with the understanding that no copies shall be made without the written consent of Laird Tech. All rights to design or invention are reserved.			
E	UPDATE LOGO AND NOTE 6	08/30/12	QIU				
D	UPDATE COMPANY LOGO & KAPTON LABEL ADD EQUIVALENT CIRCUIT	11/12/08	JRK				
C	UPDATE COMPANY LOGO	01/08/08	JRK				
B	CORRECT REV BLOCK mm [INCHES]	10/20/06	JRK				
A	ORIGINAL DRAFT	06/11/04	JRK				
REV	DESCRIPTION	DATE		PROJECT/PART NUMBER: CM6032V201R-10	REV E	DRAWN BY: JRK	SHEET: 1 of 2
		DATE: 06/11/04	SCALE: NTS				
		CAD # CM6032V201R-10-E-1	TOOL # H0600-200				



LAIRD
V201R-10
PAT. NO. 5,455,552

LABEL

0.10 [.004]
SEATING PLANE
(CO-PLANARITY)

T2

DIMENSIONS:

A	15.24 [.600]	+	0.23 [.009]
B	8.13 [.320]	+	0.13 [.005]
B1	10.92 [.430]		MAX
C	9.45 [.372]	+	0.15 [.006]
C1	10.08 [.397]		MAX
D	4.06 [.160]	+	0.05 [.002]
E	1.27 [.050]	+	0.13 [.005]
E1	2.03 [.080]	+	0.13 [.005]

WIRE DIMENSIONS:

T1	3.30 [.130]	+	0.38 [.015]
T2	0.64 [.025]		TYP.
T3	0.38 [.015]		TYP.



ELECTRICAL TESTING

TEST:	GROSS	GROSS
# TURNS	1	1
AWG	22	22
FREQUENCY	25 MHz	100 MHz
NOMINAL	113 Ω	200 Ω
MINIMUM	- Ω	150 Ω
MAXIMUM	- Ω	250 Ω
WEIGHT/1000	4.90 kgs.	10.8 lbs.

NOTES: UNLESS OTHERWISE SPECIFIED

1. WIRE: REFERENCE STEWARD WIRE PURCHASE SPEC. W0032-21.
2. IMPEDANCE VALUES ARE GROSS, MEASURED USING W0032-21 WIRE PLACED AGAINST END OF SLOT w/ NO D.C. BIAS.
3. REFERENCE STEWARD CORE P/N 24H0600-200.
4. PROTECTED BY U.S. PATENT NO. 5,455,552.
5. TERMINATION FINISH IS 100% TIN.
6. THIS PART HAS NO PIN POLARITY.

DIMENSIONS ARE IN mm [INCHES]				This print is the property of Laird Tech. and is loaned in confidence subject to return upon request and with the understanding that no copies shall be made without the written consent of Laird Tech. All rights to design or invention are reserved.		Laird	
E	UPDATE LOGO AND NOTE 6	08/30/12	QIU	PROJECT/PART NUMBER:		REV	DRAWN BY:
D	UPDATE COMPANY LOGO & KAPTON LABEL ADD EQUIVALENT CIRCUIT	11/12/08	JRK	CM6032V201R-10		E	JRK
C	UPDATE COMPANY LOGO	01/08/08	JRK	DATE:	06/11/04	SCALE:	NTS
B	CORRECT REV BLOCK mm [INCHES]	10/20/06	JRK	CAD #	CM6032V201R-10-E-2	TOOL #	H0600-200
A	ORIGINAL DRAFT	06/11/04	JRK			SHEET:	
REV	DESCRIPTION	DATE				2 of 2	